

TECHNICAL SPECIFICATIONS

Capella® 55 Whirlpool Bath

CAP5555 WCR 2XX

Capella 55 Whirlpool Bath, Right Hand
(9590)

Capella® 55 Bath

CAP5555 BCX XXX

Capella 55 Bath (C800)



INSTALLATION NOTES

Refer to installation instructions included with fixture before beginning installation. Please confirm product availability and specifications before commencing with any installation work.

PRODUCT SPECIFICATIONS AND AVAILABILITY ARE SUBJECT TO CHANGE WITHOUT NOTICE.

KEY DIMENSIONS

DIMENSIONS

55" L x 55" L x 20-1/4" H

(1397 mm) L x (1397 mm) L x (514 mm) H

DRAIN/OVERFLOW

A: 17-1/2" (445 mm) B: 9-5/8" (245 mm)

CUTOUT

Template Provided: P/N EX79000

TOTAL WEIGHT

9590: 791 lb (359 kg) / 38 lb/sq. ft. (184 kg/m²)

C800: 760 lb (345 kg) / 36 lb/sq. ft. (177 kg/m²)

OPERATING GALLONAGE

51 U.S. Gal. (204 Liters)

Max. 72 U.S. Gal. (273 Liters)

PRODUCT WEIGHT

9590: 116 lb (53 kg)

C800: 85 lb (39 kg)

SKIRT MOUNTING

Optional

ELECTRICAL SPECIFICATIONS MODEL 9590 ONLY

Requires a dedicated GFCI protected separate circuit.

Motor/Pump: 120 VAC, 15 AMP, 60 Hz.

RapidHeat™: 120 VAC, 15 AMP, 60 Hz

HEATER (OPTIONAL) MODEL 9590 ONLY

Requires a dedicated GFCI protected separate circuit.

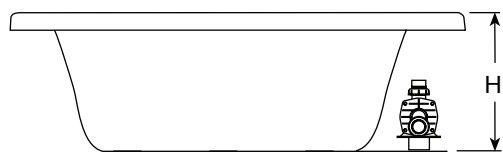
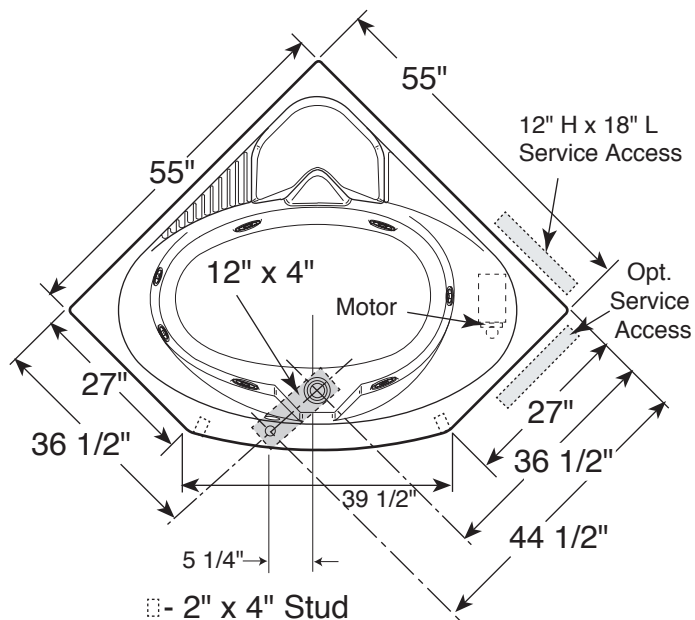
RapidHeat™: P/N S750000

Product Shown: Capella 55 Corner Whirlpool Bath Model: 9590

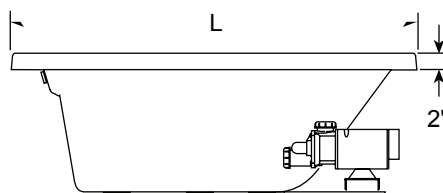
* Measurements inside unit represent cutout in floor to allow for drain/overflow. Minimum Service Access dimensions given.

FEATURES, UPGRADES & ACCESSORIES

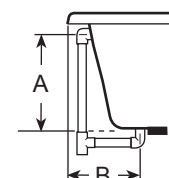
- Center Drain Location
- Accessories / Hardware:
 - Trip-Lever Drain Kit: #X559
 - Rotary Drain Kit, 26" Cable: #8730
 - Trim Kit: TheraPro Jet Rings #GU44
 - Trim Kit: AccuPro Jet Rings #GU45 (2 kits required)
- Trim Kit Finishes Available:
 - (827) – Chrome
 - (826) – Brushed Nickel
 - (845) – Oil Rubbed Bronze



SIDE VIEW



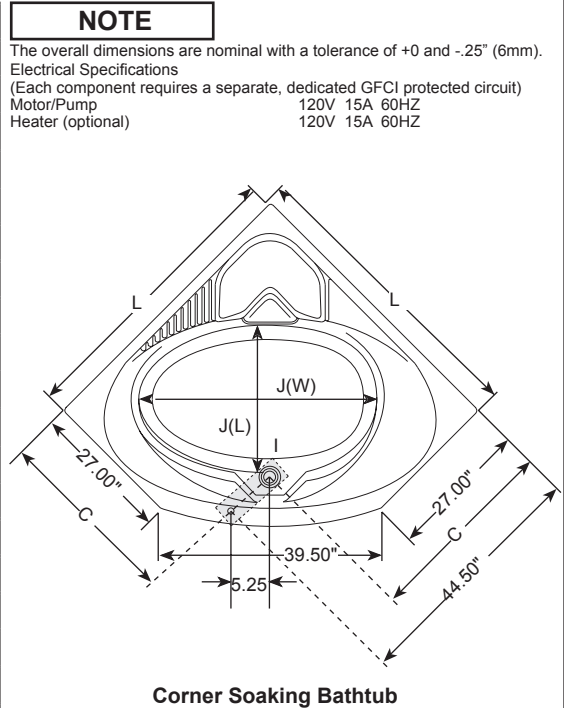
END VIEW



DRAIN/OVERFLOW

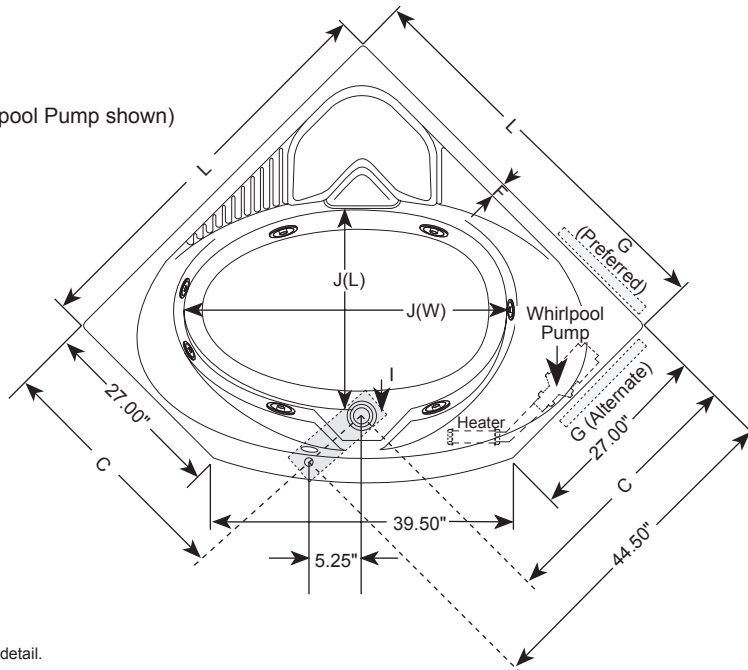
Capella® 5555 Whirlpool And Soaking Bathtubs

Letter	Description	Whirlpool	Soaking
-	Drain Location	Center Drain	
-	Whirlpool Pump Location	Right Hand	N/A
-	Cutout	P/N EX79000	
-	Total Weight	975 lb (442 kg)	950 lb (431 kg)
-	Floor Loading	46 lb/ft ² (225 kg/m ²)	45 lb/ft ² (220 kg/m ²)
-	Operating Gallons (Min/Max)	51 Gal (204L) / 72 Gal (273L)	
-	Product Weight	125 lb (57 kg)	100 lb (45 kg)
L	Outer Length	55.00" (1397 mm)	
W	Outer Width	55.00" (1397 mm)	
H	Overall Height	20.25" (514 mm)	
A	Overflow Height	17.50" (445 mm)	
B	Long Edge to Drain Center	9.63" (245 mm)	
C	Short Edge to Drain Center	32.50" (826 mm)	
D	Drain Shoe Length	8.50" (216 mm)	
E	Deck Height	2.00" (51 mm)	
F	Deck Width	3.50" (89 mm)	
G	Service Access	12.00 x 18.00" (305 x 457 mm)	N/A
I	Floor Cutout for Drain	12.00 x 4.00" (305 x 102 mm)	
J	Interior Dimensions: J(W) x J(L)	28.00 x 44.00" (711 x 1118 mm)	

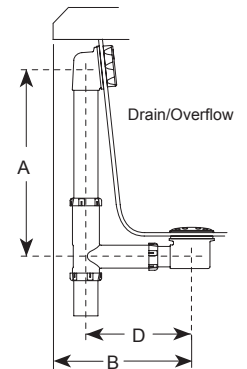
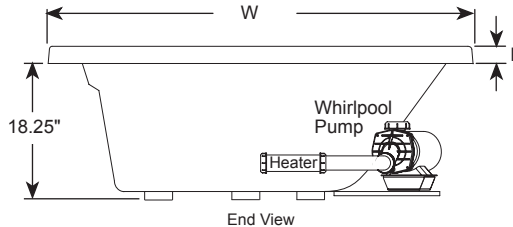
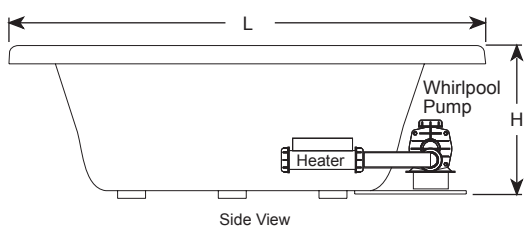


Key Dimensions

(Center Drain / Right Side Whirlpool Pump shown)



*Deck width reflects only area indicated on detail.



NOTE: Drawings not to scale.